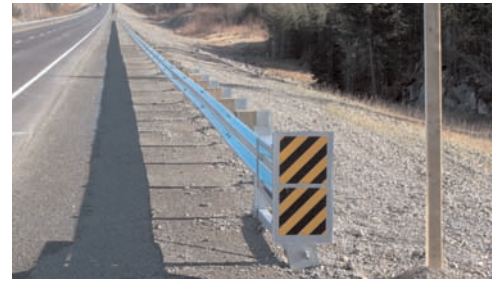
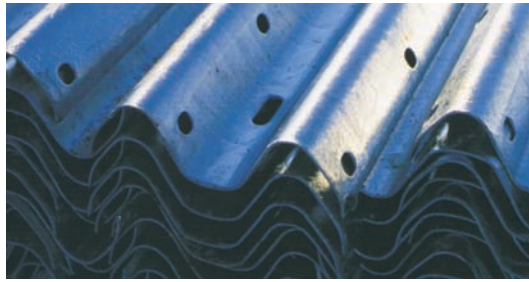


# Guardrail



[www.ail.ca](http://www.ail.ca)



Atlantic Industries Limited  
**We Support You.**

# AIL Guiderail

For over 40 years, Atlantic Industries Limited has provided our customers with economical, low-maintenance highway protection.

Manufactured to the highest specifications, Guiderail is the clear choice when you need traffic protection. No matter what the use – road dividers and barriers, bridge approaches and railings, curves and other highway hazards, or traffic direction – Guiderail provides highly visible protection in all weather conditions.

A proven performer in minimizing accident severity and injuries when collision occurs, Guiderail not only absorbs the shock of impact, but helps to guide out-of-control vehicles to safer stops.

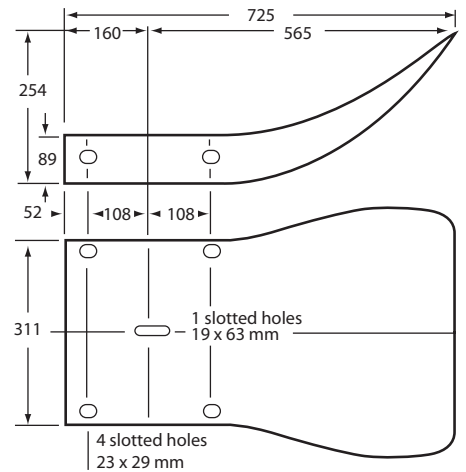
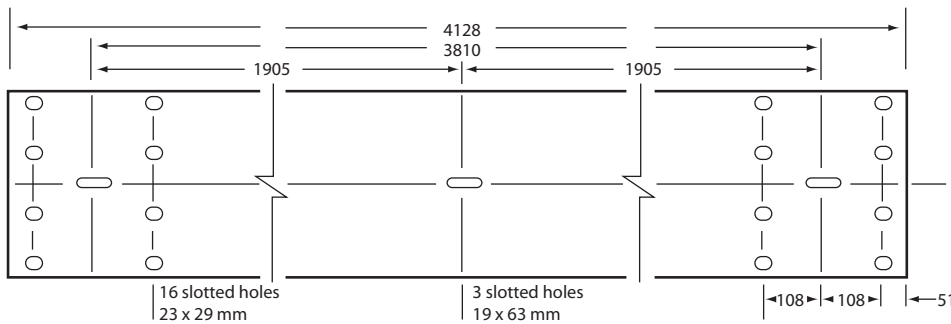


Guiderail is manufactured to the highest specifications (AASHTO M180-78) from 2.5 mm steel. All components, including nuts and bolts, are hot dip galvanized in a process (CSA G-164M) that provides double the zinc protection of pregalvanized steel. This ensures long service life for all applications.

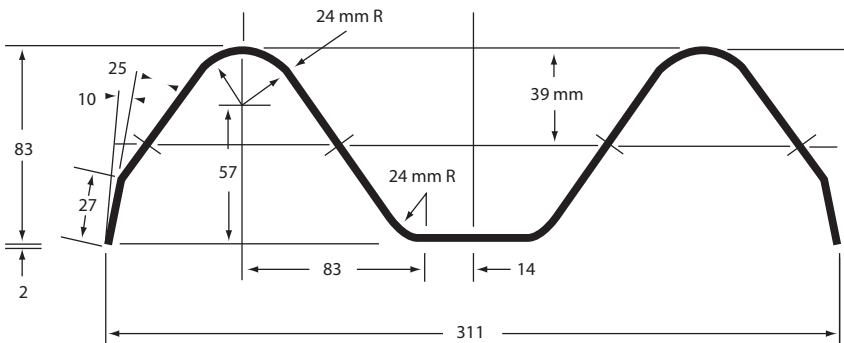
Specifically designed for ease of installation and replacement of damaged sections, Guiderail can be shipped immediately in

convenient component form – rails, sloped ends and terminal sections. These durable but light-weight sections bolt together tightly and can be easily handled by a two-person crew requiring no special equipment or training.

For traffic protection with lasting performance, count on Guiderail from Atlantic Industries Limited.



Note: All dimensions are in millimetres



Atlantic Industries Limited  
**We Support You.**

For assistance in pricing, ordering, or unusual installations, call toll free in Canada.

**1 877-245-7473**  
**www.ail.ca**

